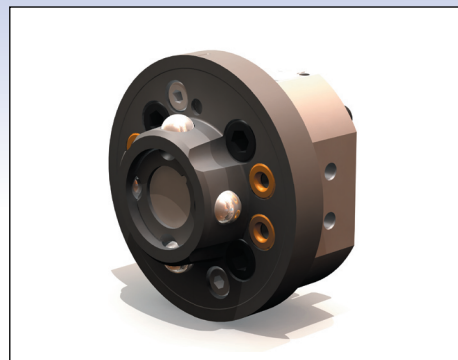
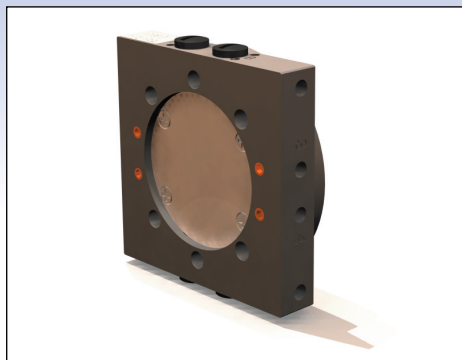


Small Tool Changers



Tool Changers

The new generation of Tool Changers enables your robots to handle multiple tools simultaneously. With low weight, compact and robust design incorporating many safety features, our Tool Changers are built to ensure reliable and smooth operation. An advanced locking device lines up the electrical connector pins automatically to minimize wear and maximize the lifetime.

Advantages:

- Low maintenance
- Forgiving locking device
- Fast docking due to smart design

Technical data

Tool Changer	Part no.	Handling capacity (kg)	Electrical channels	Air channels	Weight (kg)	Corresponding Tool Attachment	Part no.	Weight (kg)	Max moment (Nm)
TC20-4	P0101	20	-	4	0.400	TA20-4	P0102	0.11	150
TC20-4E	P0103	20	8	4	0.450	TA20-4E	P0104	0.13	150

P0141 Square tool attachment bracket

Electrical channels

Max voltage	60 V *
Max current	2 A *
Connections	M12 / Cable

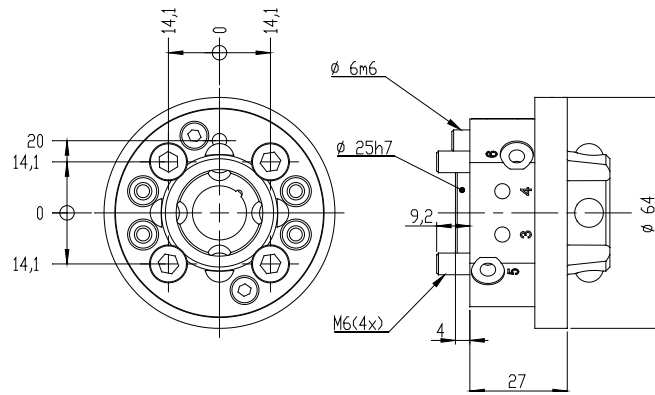
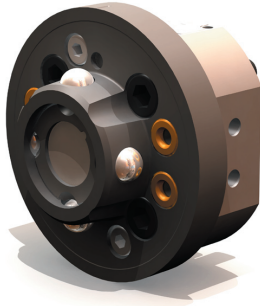
* Other spec. available on request.

Compressed air

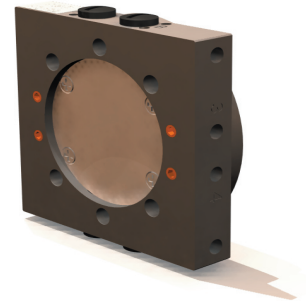
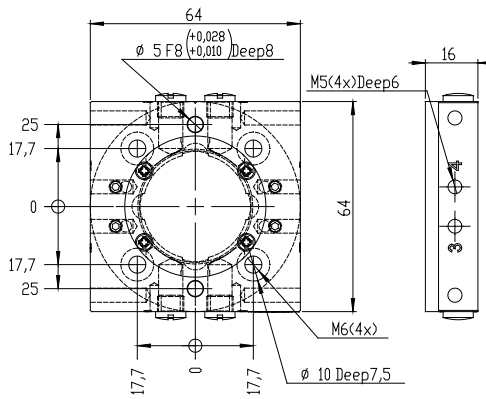
Max. compressed air	-1 to 10 bar
Tool change function	6-10 bar
Air flow, unregulated outflow	150 l/min, free, Pin = 6.0 bar
Air quality	Oil-clean and waterless filtered air, max 25 µm
Air connections	M5

Dimensional drawings

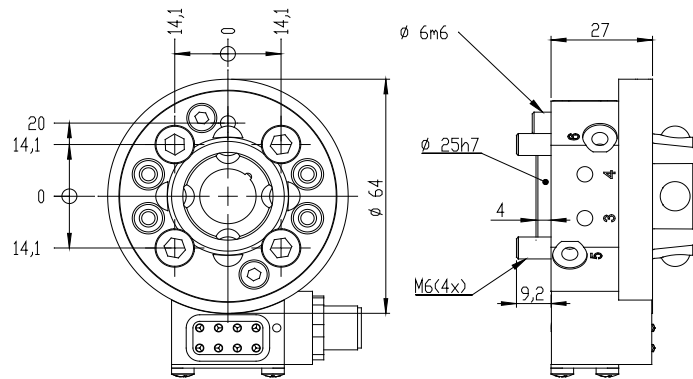
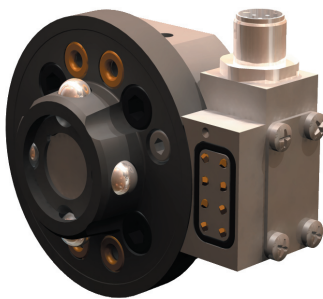
TC20-4:



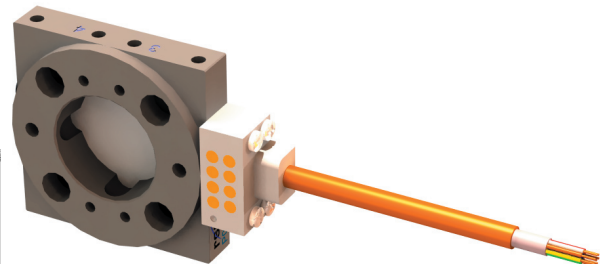
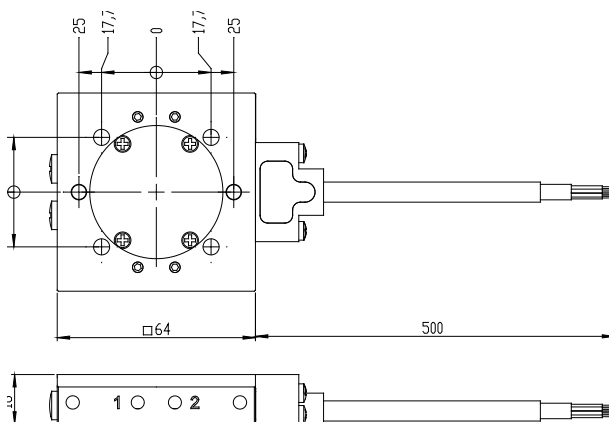
TA20-4:



TC20-4E:



TA20-4E:



B0101-1, Jan 2006

RobotSystem Products AB offers complete, standardized media supply solutions for most robot-based automation. We design, manufacture, and market a wide range of standard robot peripherals such as tool changers, swivels, hose packages, vacuum grippers and die-casting systems throughout the world.

Visit us at www.robotssystemproducts.com